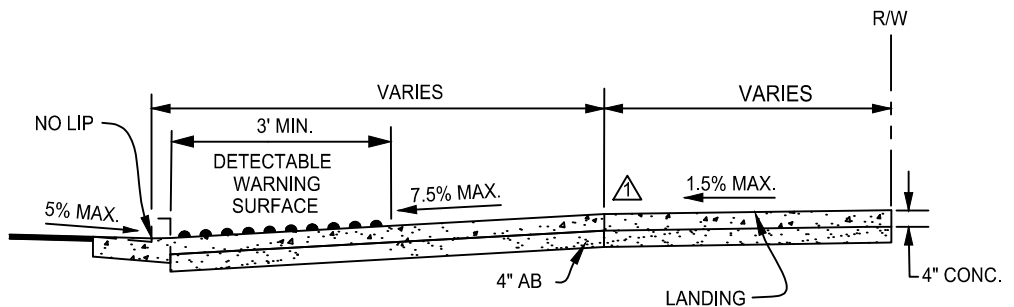


PLAN
NOT TO SCALE




SECTION A-A
NOT TO SCALE

NOTES:

1. REFER TO PLATE NO. 5-5 FOR NOTES AND DETAILS.
2. ALL DIMENSIONS, ELEVATIONS, SLOPES AND TRANSITION LENGTHS TO BE DESIGNED BY ENGINEER.

▲	REMOVED 12" GROOVED BORDER	6/5/20	DL
CHANGE	DESCRIPTION	DATE	INITIAL

APPROVED:  6/5/20
CITY ENGINEER DATE



CITY OF THOUSAND OAKS
PUBLIC WORKS DEPARTMENT

**STANDARD
CURB ACCESS TWO-RAMP
CORNER INSTALLATION**

PLATE NO.
5-4