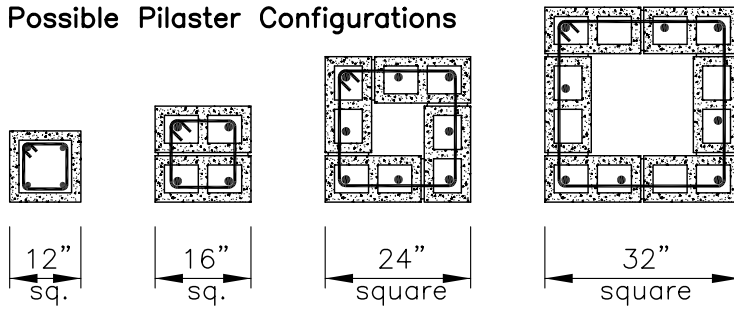


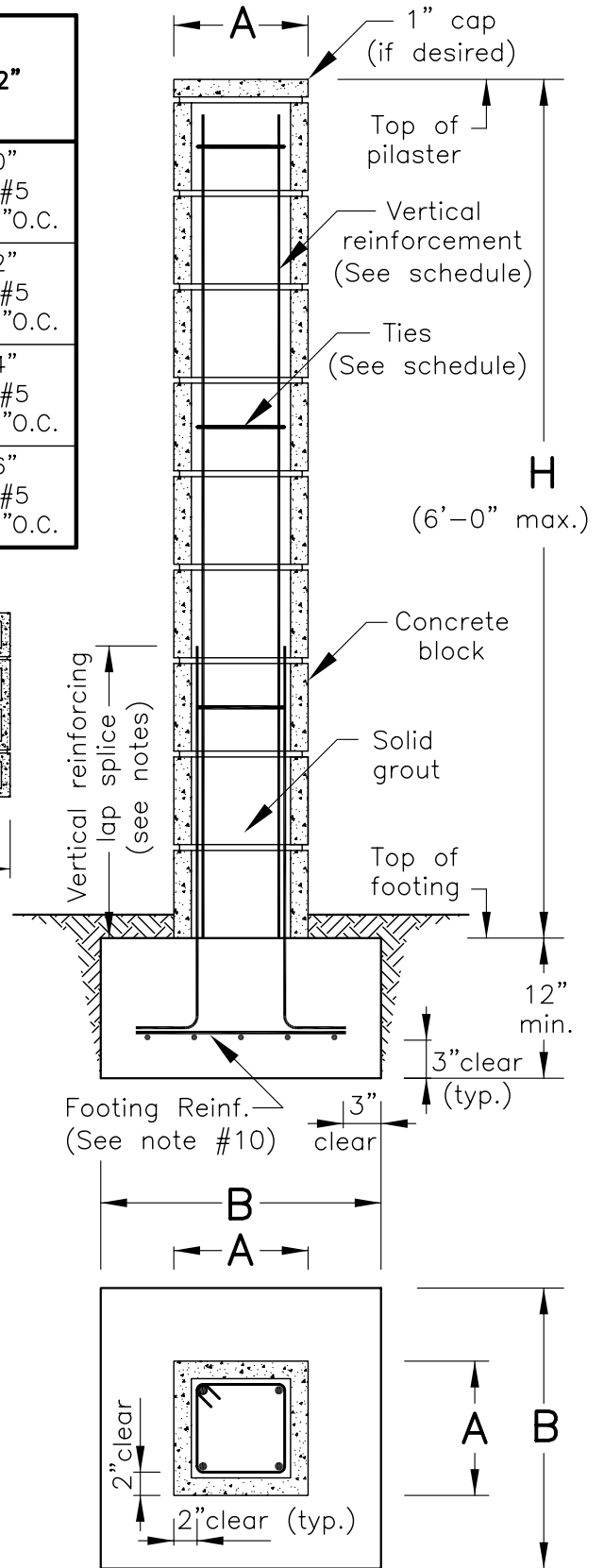
Pilaster Size A Pilaster Height H	12"	16"	24"	32"
	3'-0" B Vert.Reinf. Ties.	24" 4-#4 #3@24"O.C.	30" 4-#5 #3@16"O.C.	40" 8-#5 #3@8"O.C.
4'-0" B Vert.Reinf. Ties.	26" 4-#4 #3@24"O.C.	32" 4-#5 #3@16"O.C.	42" 8-#5 #3@8"O.C.	52" 8-#5 #3@8"O.C.
5'-0" B Vert.Reinf. Ties.	28" 4-#4 #3@24"O.C.	34" 4-#5 #3@16"O.C.	44" 8-#5 #3@8"O.C.	54" 8-#5 #3@8"O.C.
6'-0" B Vert.Reinf. Ties.	30" 4-#4 #3@24"O.C.	36" 4-#5 #3@16"O.C.	46" 8-#5 #3@8"O.C.	56" 8-#5 #3@8"O.C.

Possible Pilaster Configurations



General Notes:

1. Building permit is required for pilasters higher than 3'-0" (measured from top of pilaster to top of footing). Planning and Public Works Department approval may be required for any pilaster height.
2. Concrete blocks shall be grade "A" units.
3. Cells containing reinforcement shall be filled solidly with grout.
4. Vertical reinforcing min. lap splice is 20" for #4 bars and 25" for #5 bars.
5. Footings shall be placed on firm level ground.
6. Pilasters shall be centered on footings.
7. Pilaster footings shall have a minimum setback of 5 ft. from the toe of any upslope and 3 ft. daylight to any downslope.
8. Concrete in footings to test 2500 psi at 28 days.
9. This design is NOT to be used for:
  - pilasters supporting gates or solid fences
  - pilasters part of retaining walls
  - pilasters supporting any additional loads
10. Footing reinforcement to be #4@12"O.C. each way.



**CITY OF THOUSAND OAKS**  
COMMUNITY DEVELOPMENT DEPARTMENT  
BUILDING DIVISION

Prepared by: Dragos Teodorescu P.E.

Approved by: Dave Hueners P.E.

Building Official

**ISOLATED CONCRETE  
BLOCK PILASTER**

Sheet 1 of 1

July 2009

B-12