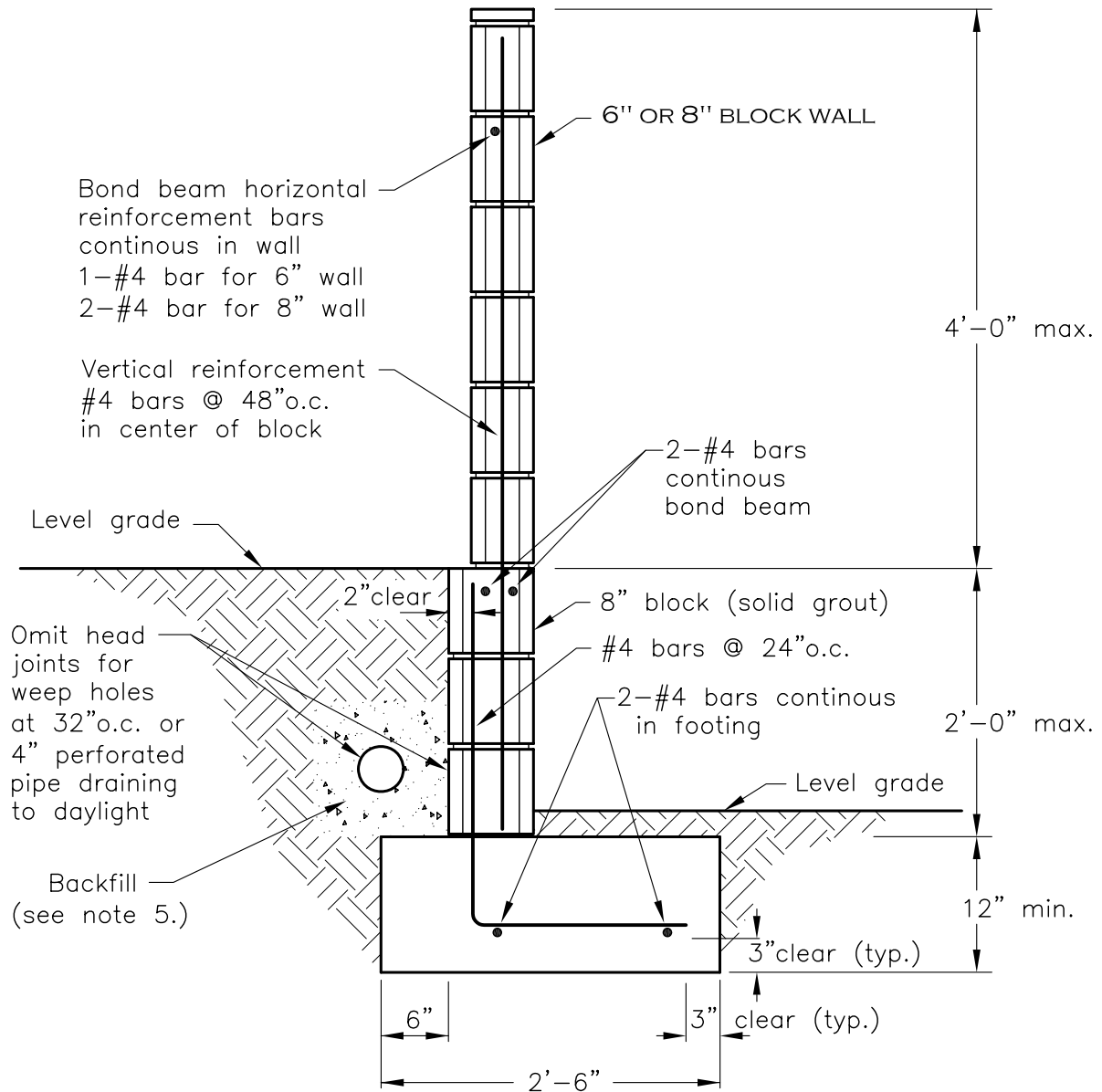


GARDEN WALL ON RETAINING WALL

General Notes:

1. Concrete in footings to achieve minimum 2500 psi compressive strength at 28 days.
2. Concrete block to be grade "A" units per A.S.T.M. C-90.
3. Grout shall be 1 part cement, 3 parts sand, 2 parts pea gravel.
4. Mortar shall be 1 part cement, 1/2 part lime putty, and 4 1/2 part sand.
5. 12" thick sand and/or gravel backfill behind wall from footing to within 12" of full height.
6. Grout bond beam cells and cells with vertical steel only for garden wall portion.
7. Grout all cells for retaining wall portion.



CITY OF THOUSAND OAKS
 COMMUNITY DEVELOPMENT DEPARTMENT
 BUILDING DIVISION

Prepared by: Dragos Teodorescu P.E.

Approved by: Dave Hueners P.E.

Building Official

**GARDEN WALL
 ON RETAINING WALL
 (6'-0" MAX.- EXPOSED HEIGHT)**

Sheet 1 of 1

January 2008

B-5