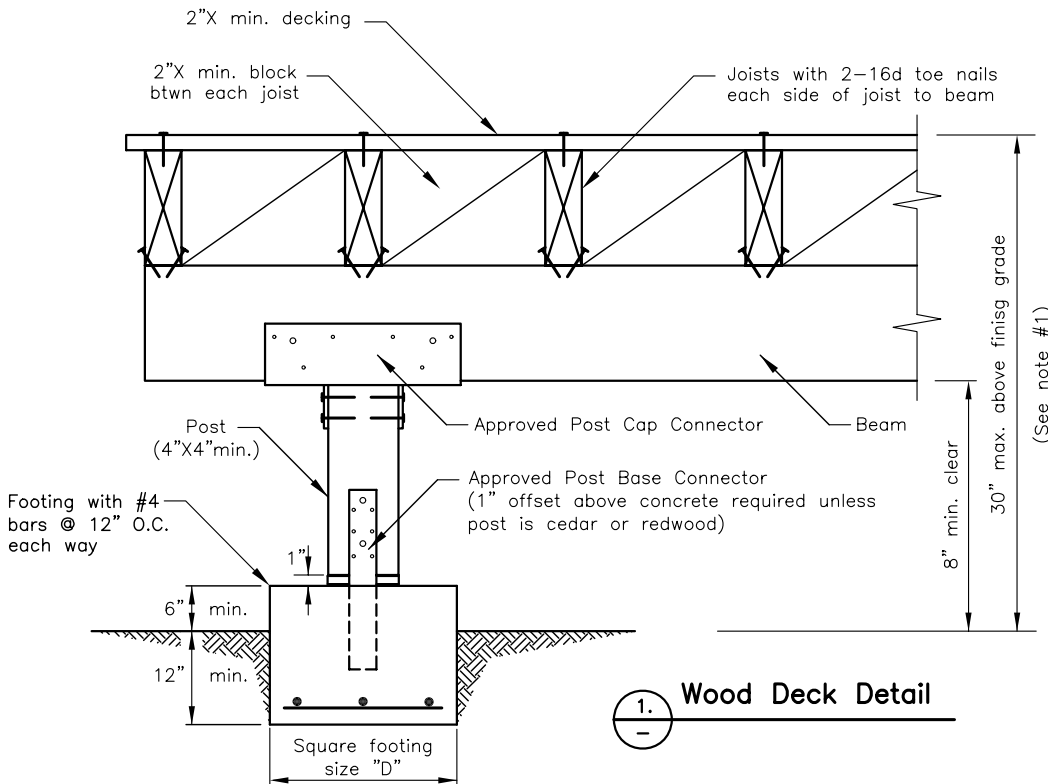
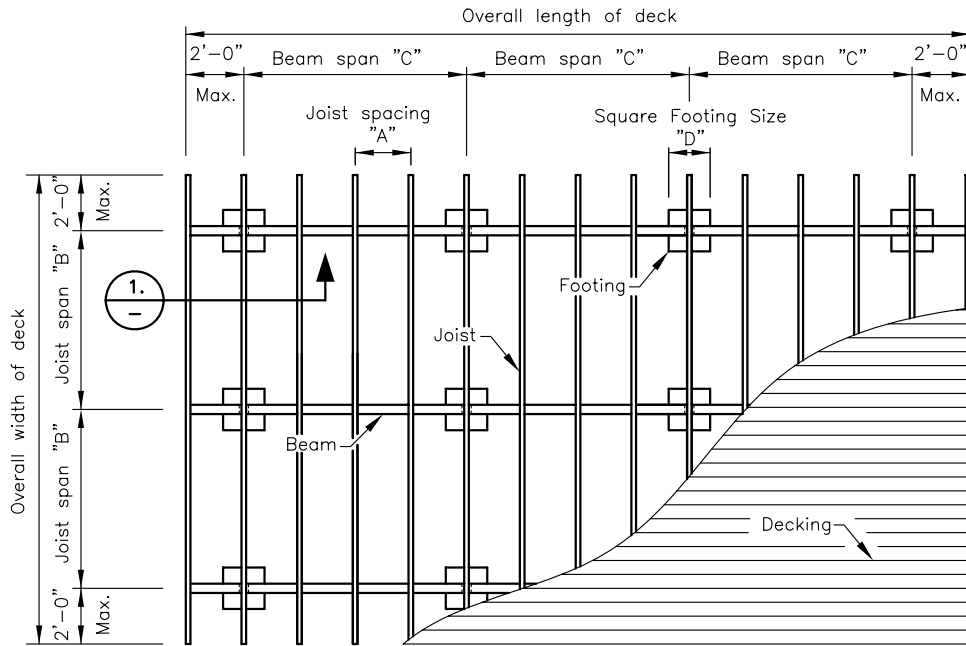


Wood Deck Framing Plan



Notes:

1. Provide construction details for guardrail, stairway and lateral bracing if walking deck exceeds 30" above finish grade.
2. Provide 3" clear concrete cover around footing reinforcement.
3. Metal connectors may be used for joist-to-beam connection instead of toe nails.
4. Wood used for beam and joist to be pressure treated or of natural resistance to decay, unless the clearance dimension to ground is 12" or greater for beams and 18" or greater for joists.
5. Detached decks which are less than 30 inches above grade and are separated from the dwelling by 5'0" or more and do not violate any provision of the City Zoning regulations or California Building Code slope setback regulations, are exempt from building permit. Planning and Public Works Department approval may be required.

1. **Wood Deck Detail**



CITY OF THOUSAND OAKS
COMMUNITY DEVELOPMENT DEPARTMENT
BUILDING DIVISION

Prepared by: Dragos Teodorescu P.E.
Approved by: Dave Hueners P.E.
Building Official *Dave Hueners*

**DETACHED WOOD DECK
FRAMING DETAILS, SPAN TABLES**

Wood Deck Joists Span Table (DL=15PSF, LL=40PSF)

Joist Span (ft.) "B"

Joist Spacing (in. O.C.) "A"	Ⓢ12" O.C.	Ⓢ16" O.C.	Ⓢ24" O.C.
Joist Size (in.)			
2X6	10'-0"	8'-6"	7'-0"
2X8	12'-6"	10'-9"	9'-0"
2X10	15'-6"	13'-3"	11'-0"
2X12	18'-0"	15'-6"	12'-9"
4X6	15'-9"	13'-6"	11'-3"
4X8	18'-0"	17'-3"	14'-3"

Wood Deck Beam Span Table (DL=15PSF, LL=40PSF)

Beam Span (ft.) "C"

Joist Span (ft.) "B"	6'-0"	8'-0"	10'-0"	12'-0"	14'-0"	16'-0"	18'-0"	Square Footing Size (12" deep) (in.) "D"
Beam Size (in.)								
								18"X18"
4X4	4'-3"	3'-6"	3'-3"	3'-0"	2'-9"	2'-6"	2'-3"	24"X24"
4X6	6'-3"	5'-3"	4'-9"	4'-3"	4'-0"	3'-9"	3'-6"	
4X8	8'-3"	7'-0"	6'-3"	5'-9"	5'-3"	5'-0"	4'-9"	30"X30"
4X10	10'-0"	8'-9"	7'-9"	7'-0"	6'-6"	6'-0"	5'-9"	
4X12	11'-9"	10'-0"	9'-0"	8'-3"	7'-6"	7'-0"	6'-9"	36"X36"
4X14	13'-3"	11'-3"	10'-3"	9'-3"	8'-6"	8'-0"	7'-6"	
6X10	11'-9"	10'-3"	9'-0"	8'-3"	7'-9"	7'-3"	6'-9"	
6X12	14'-3"	12'-3"	11'-3"	10'-0"	9'-3"	8'-9"	8'-3"	
6X14	16'-9"	14'-6"	13'-0"	11'-9"	11'-0"	10'-3"	9'-6"	39"X39"

Notes:

1. All lumber to be Douglas Fir Larch No.2 or better.
2. Bolts/Nails/Screws shall have corrosion resistant coating.



CITY OF THOUSAND OAKS
COMMUNITY DEVELOPMENT DEPARTMENT
BUILDING DIVISION

Prepared by: Dragos Teodorescu P.E.

Approved by: Dave Hueners P.E.

Building Official

**DETACHED WOOD DECK
FRAMING DETAILS, SPAN TABLES**

Sheet 2 of 2

Sept. 2010

B-16