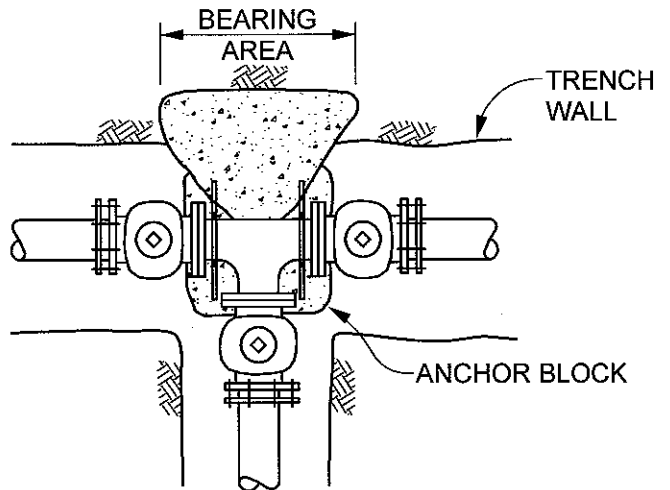
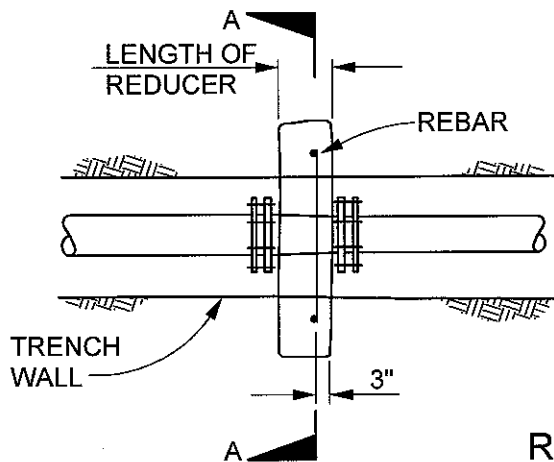


HORIZONTAL ELBOW

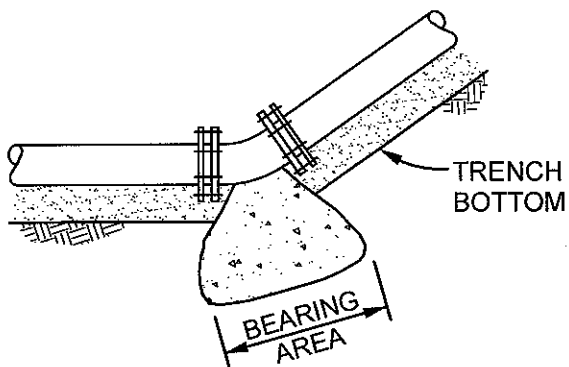
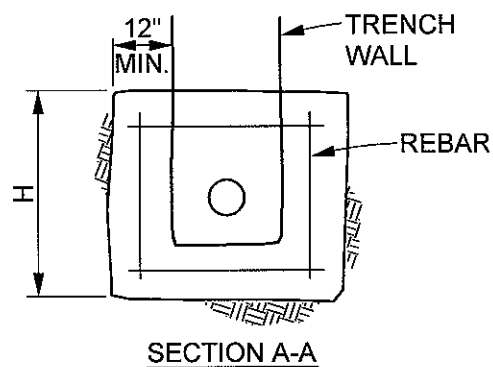
$\Delta=90^\circ, 45^\circ, 22-1/2^\circ, 11-1/4^\circ$



TEES

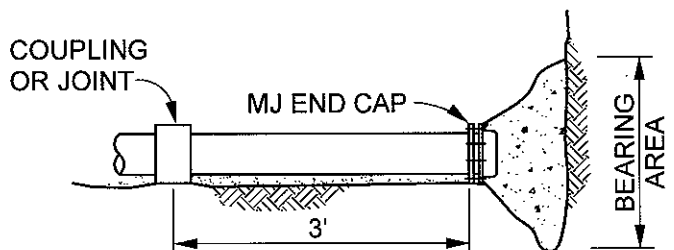


REDUCER



VERTICAL ELBOW

$\Delta=45^\circ, 22-1/2^\circ, 11-1/4^\circ$



CAPPED END

NOTES:

1. THRUST BLOCKS SHALL BEAR ON UNDISTURBED EARTH.
2. FOR SIZES AND DIMENSIONS OF THRUST BLOCKS AND REBAR SEE PLATE NO. 35-3.
3. SPECIAL DESIGN REQUIRED FOR VERTICAL ANGLES GREATER THAN 45°.
4. CONCRETE TO EXTEND MIN. 12" ABOVE AND 6" BELOW PIPE INTO UNDISTURBED EARTH.

				CITY OF THOUSAND OAKS PUBLIC WORKS DEPARTMENT	
CHG	DESCRIPTION	DATE	INITIAL	THRUST BLOCKS	
APPROVED	<i>Jeff Swartz</i> CITY ENGINEER		6.10.09 DATE		