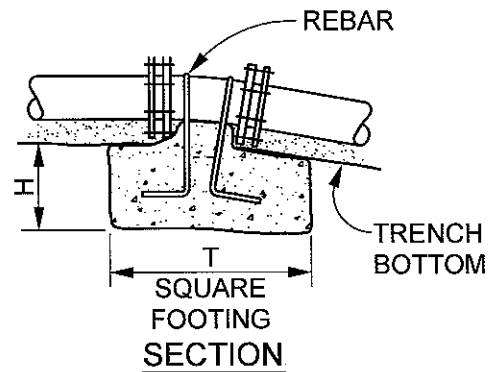
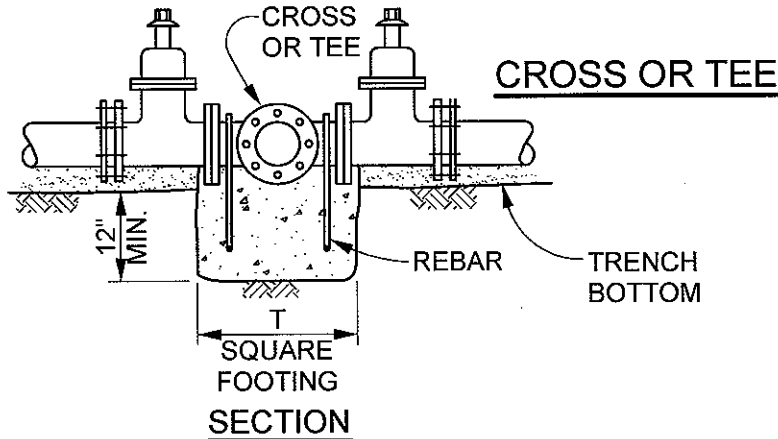
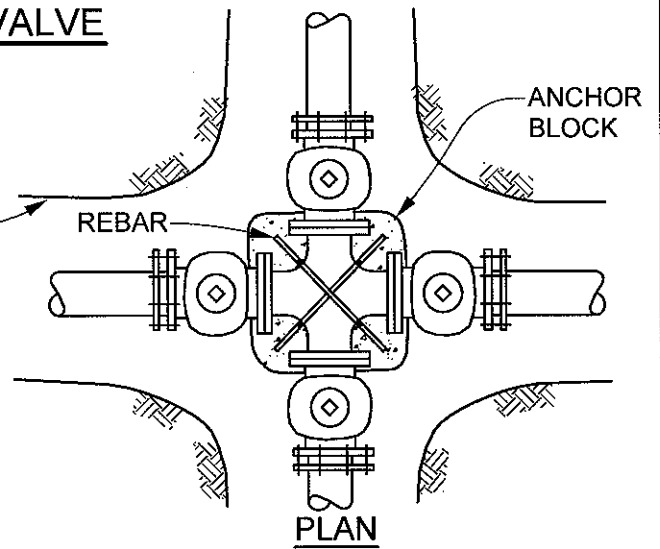
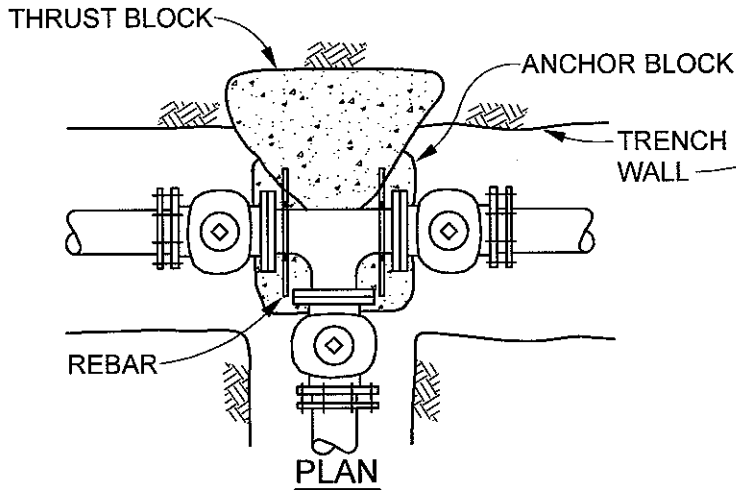


IN-LINE VALVE



VERTICAL ELBOW

NOTES:

1. FOR ANCHOR BLOCK DIMENSIONS AND REBAR SIZE SEE PLATE NO. 35-3.
2. ANCHOR BLOCKS SHALL BEAR ON UNDISTURBED EARTH.
3. SPECIAL DESIGN REQUIRED FOR VERTICAL ANGLES GREATER THAN 22-1/2°.
4. FITTINGS SHALL BE MECHANICAL JOINT OR FLANGE. PUSH JOINT FITTINGS ARE NOT ALLOWED.

CHG	DESCRIPTION	DATE	INITIAL
APPROVED	<i>Jeff Shurgin</i> CITY ENGINEER	6/10/09 DATE	

CITY OF THOUSAND OAKS
PUBLIC WORKS DEPARTMENT

ANCHOR BLOCKS FOR
VALVES AND FITTINGS

PLATE NO.
35-1