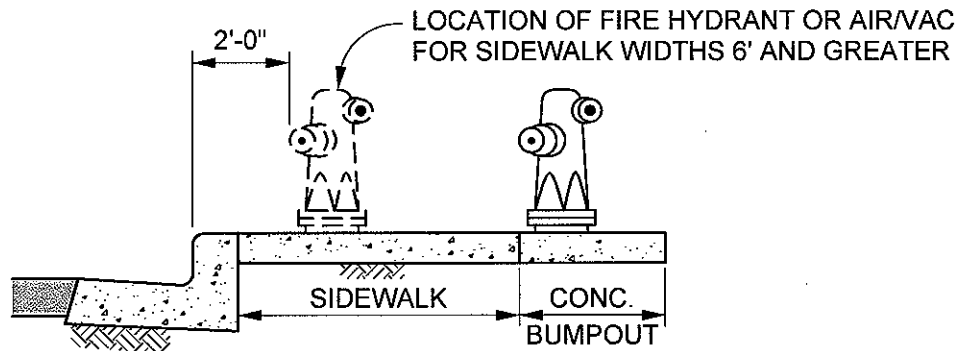
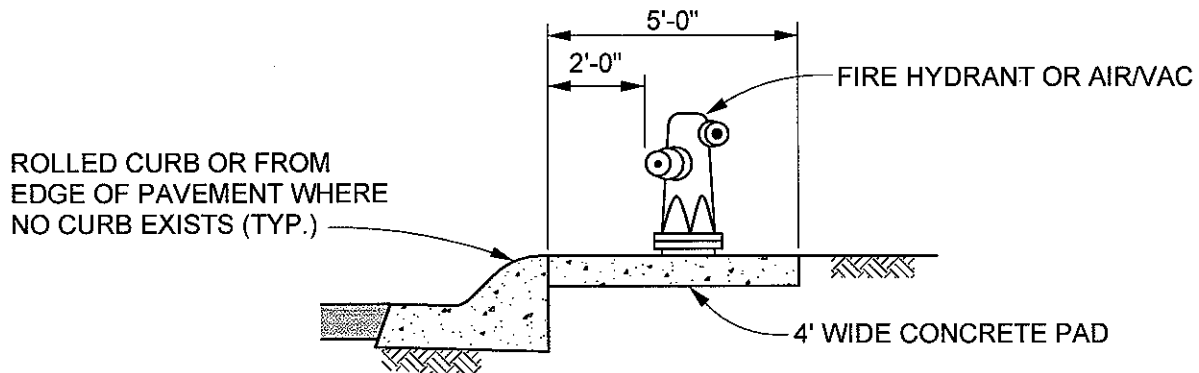


CASE I
DETACHED SIDEWALK



CASE II
ATTACHED SIDEWALK



CASE III
NO SIDEWALK

NOTE:

1. REFER TO STANDARD PLATE NO. 8-7 OF THE CITY OF THOUSAND OAKS ROAD DESIGN AND CONSTRUCTION STANDARDS FOR ADDITIONAL LOCATION REQUIREMENTS.
2. GUARD POSTS REQUIRED IN CASES WHERE NO CURB EXISTS.

				CITY OF THOUSAND OAKS PUBLIC WORKS DEPARTMENT	
CHG	DESCRIPTION	DATE	INITIAL	FIRE HYDRANT OR AIR/VAC ASSEMBLY LOCATION	
APPROVED	<i>Jay Morgan</i>	6.10.09			
				CITY ENGINEER	