

THRUST AND ANCHOR BLOCK

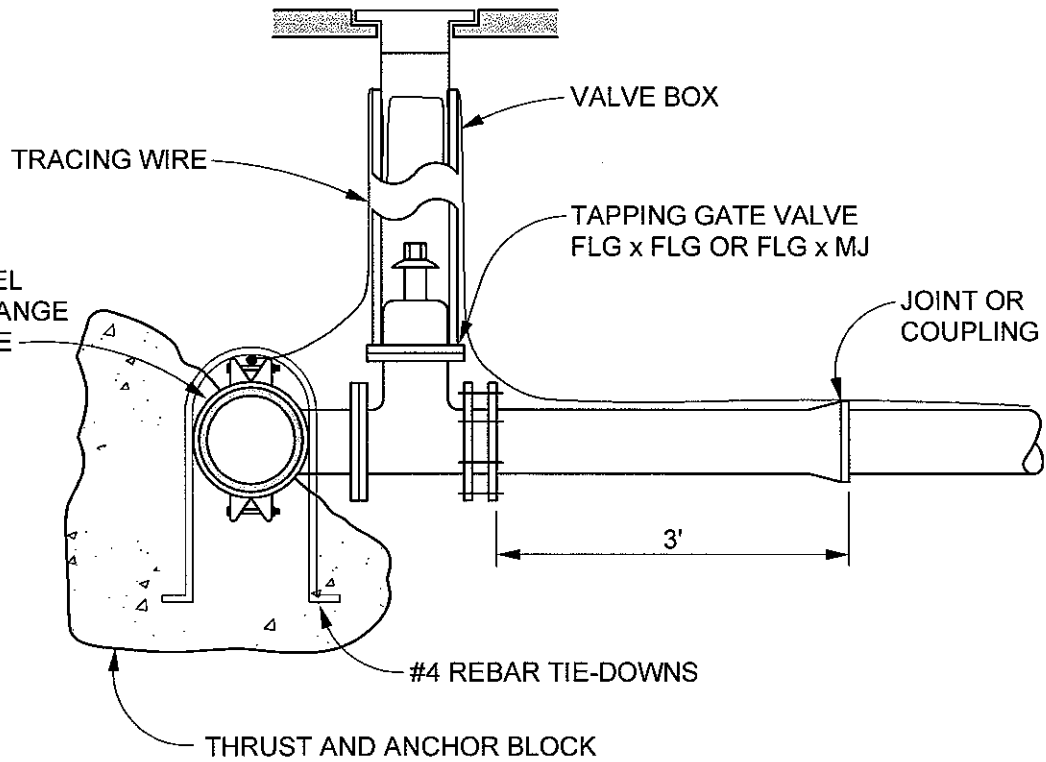
#4 REBAR TIE-DOWNS

TAPPING GATE VALVE  
FLG x FLG OR FLG x MJ

JOINT OR COUPLING

3'

STAINLESS STEEL FULL CIRCLE  
FLANGE TAPPING SLEEVE



NOTE:

1. TAPPING SLEEVE SHALL HAVE A MINIMUM CLEARANCE OF 18" FROM ANY COUPLING, SERVICE SADDLE, OR JOINT ON THE EXISTING MAINLINE.

| CHG | DESCRIPTION | DATE | INITIAL |
|-----|-------------|------|---------|
|     |             |      |         |

CITY OF THOUSAND OAKS  
PUBLIC WORKS DEPARTMENT

APPROVED

*Jay Swain*  
CITY ENGINEER

6/10/09  
DATE

TAPPING SLEEVE

PLATE NO.

33-5