

1211.1.6 Piping Underground Beneath Building.

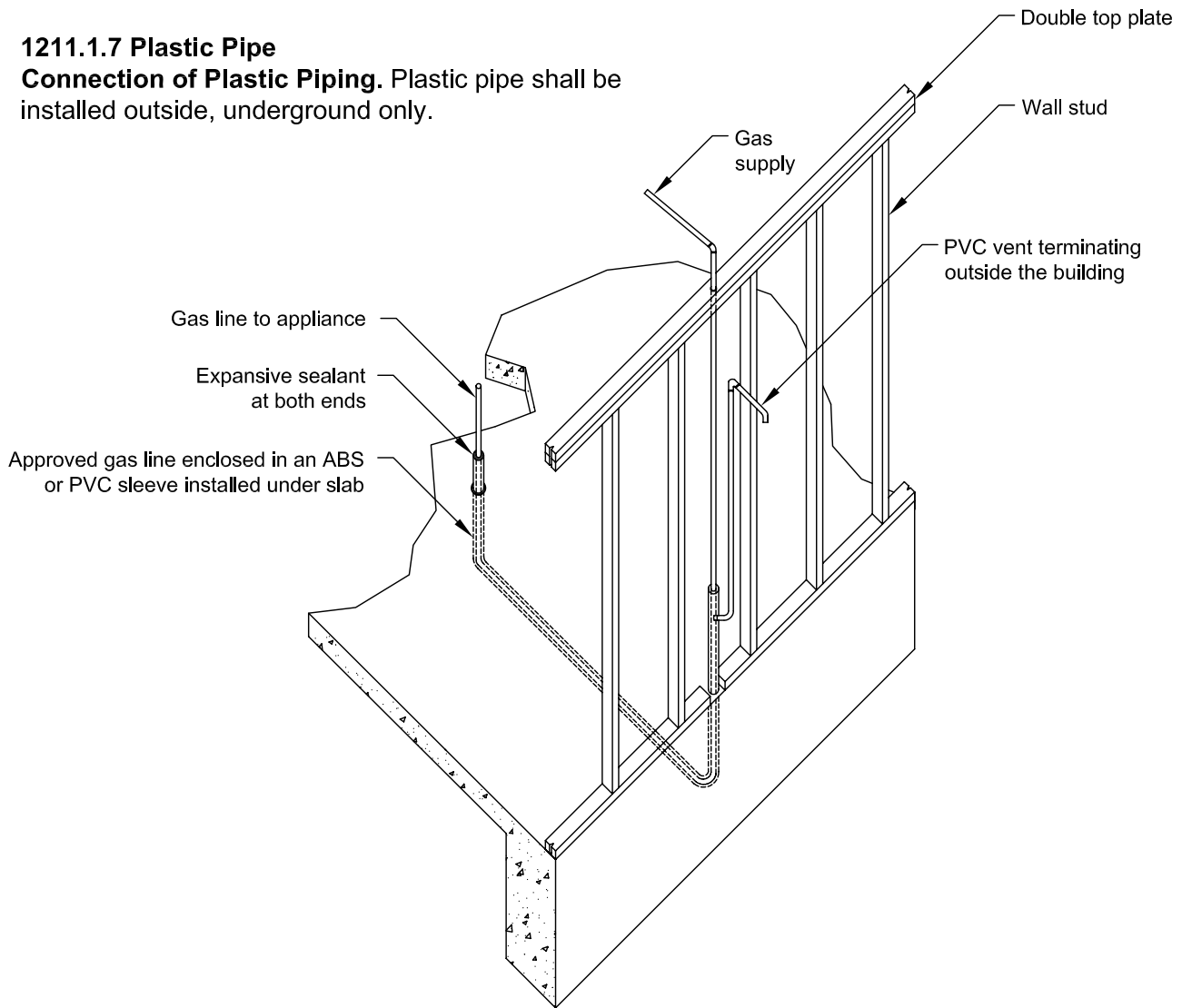
Where the installation of gas piping underground beneath buildings is unavoidable, the piping shall be encased in an approved conduit designed to withstand the superimposed loads. The conduit shall extend into a normally usable and accessible portion of the building and, at the point where the conduit terminates in the building, the space between the conduit and the gas piping shall be sealed to prevent the possible entrance of any gas leakage. Where the end sealing is of a type that will retain the full pressure of the pipe, the conduit shall be designed for the same pressure as the pipe. The conduit shall extend at least 4" (100mm) outside the building, be vented above grade to the outside, and be installed so as to prevent the entrance of water and insects.

1211.1.7 Plastic Pipe

Connection of Plastic Piping. Plastic pipe shall be installed outside, underground only.

1211.6 Gas Pipe Turns. Changes in direction of gas pipe shall be made by the use of fittings or factory bends.

CSST where installed shall be in accordance with the manufacturer's instructions.



CITY OF THOUSAND OAKS
COMMUNITY DEVELOPMENT DEPARTMENT
BUILDING DIVISION

Prepared by: Rigoberto Barrera
Approved by: Dave Hueners P.E.
Building Official

KITCHEN ISLAND
GAS LINE