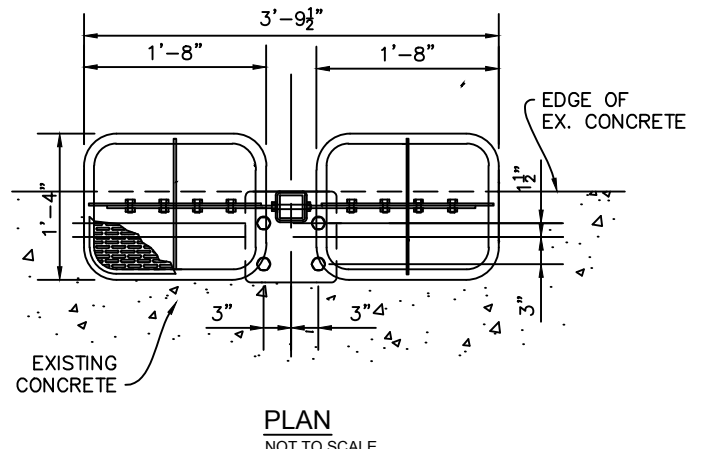
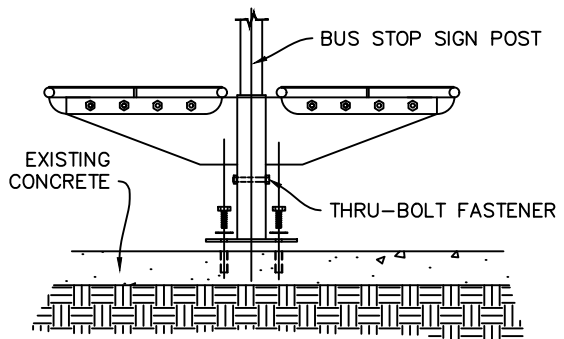


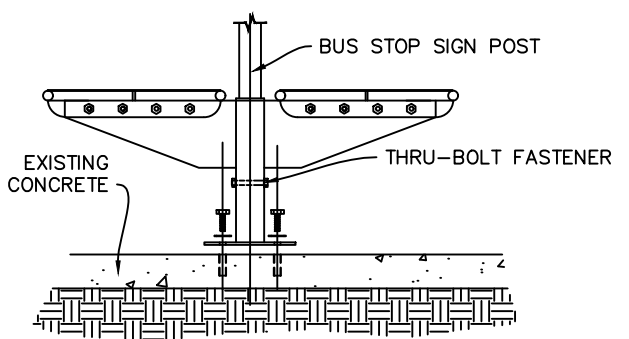
PLAN
NOT TO SCALE



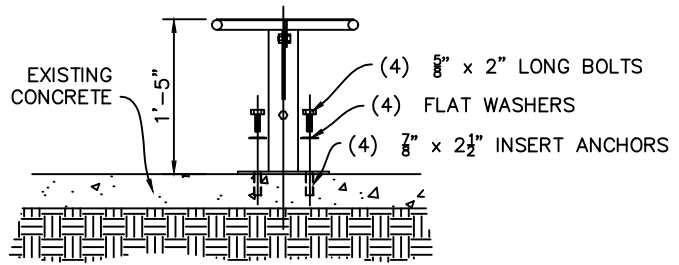
PLAN
NOT TO SCALE



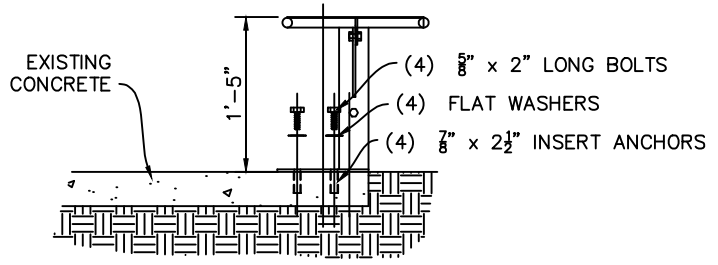
FRONT ELEVATION
NOT TO SCALE



FRONT ELEVATION
NOT TO SCALE



SIDE ELEVATION
NOT TO SCALE



SIDE ELEVATION
NOT TO SCALE

INSTALLATION DETAIL ON EX. CONCRETE

INSTALLATION DETAIL ON EDGE OF EX. CONCRETE

NOTE:
REFER TO PLATE NO. 8-25 FOR SINGLE SEAT DETAIL AND SEAT GENERAL INSTALLATION INSTRUCTIONS.

CHANGE	DESCRIPTION	DATE	INITIAL

APPROVED: CITY ENGINEER
DATE: 5/24/18