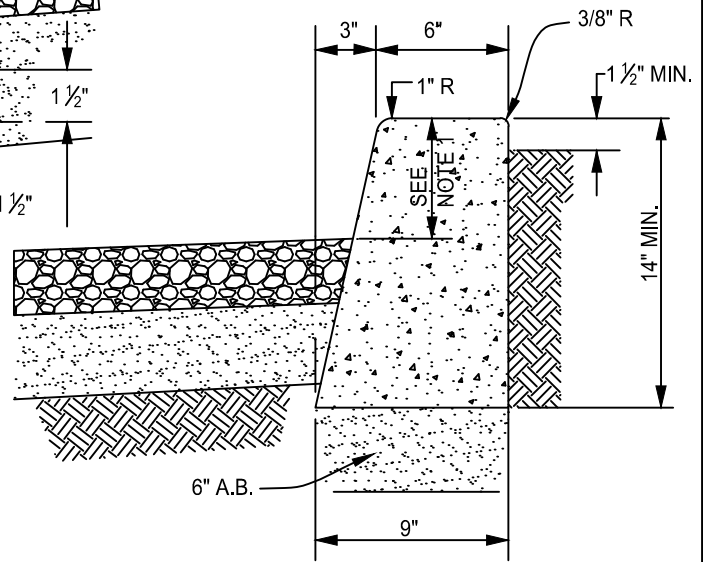
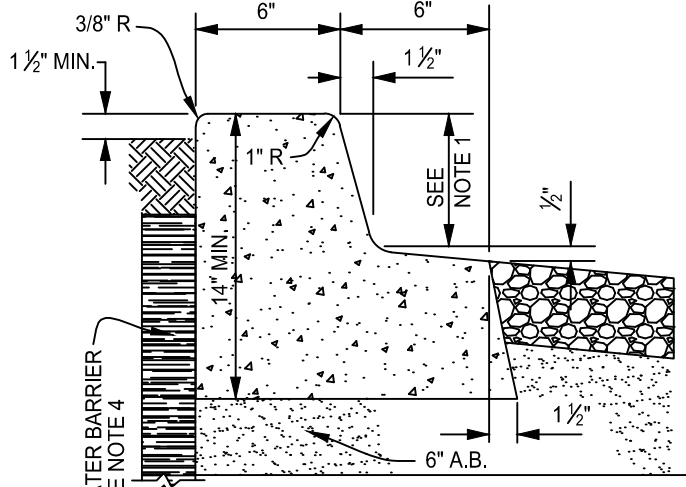


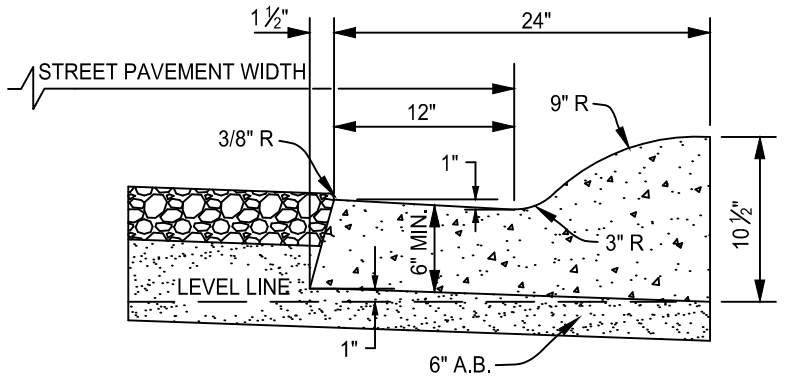
CURB & GUTTER, TYPE A-2



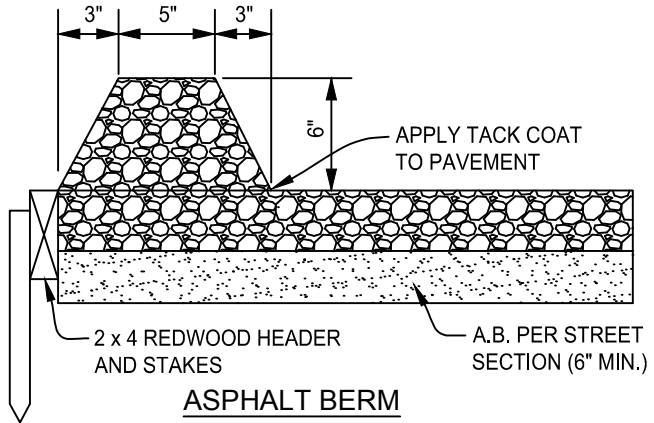
**MEDIAN / PLANTER CURB, TYPE A
(FOR PRIVATE ST. OR PARKING LOTS)**



**MEDIAN CURB, TYPE A-1
(FOR ALL PUBLIC STREETS)**



ROLLED CURB DETAIL



ASPHALT BERM

NOTES:

1. 6" MIN CURB HEIGHT.
2. ALL CONCRETE SHALL BE 520-C-2500.
3. CURB CORES SHALL BE POSITIONED PER PLATE NO. 8-20.
4. MEDIAN AND PLANTER CURB SHALL INCLUDE BARRIER TO PREVENT MIGRATION/INTRUSION OF WATER INTO ADJACENT PAVEMENT OR BASE, TO THE SATISFACTION OF THE CITY ENGINEER.

DETAILS
NOT TO SCALE

CHANGE	DESCRIPTION	DATE	INITIAL

APPROVED:  5/24/18
DATE
CITY ENGINEER