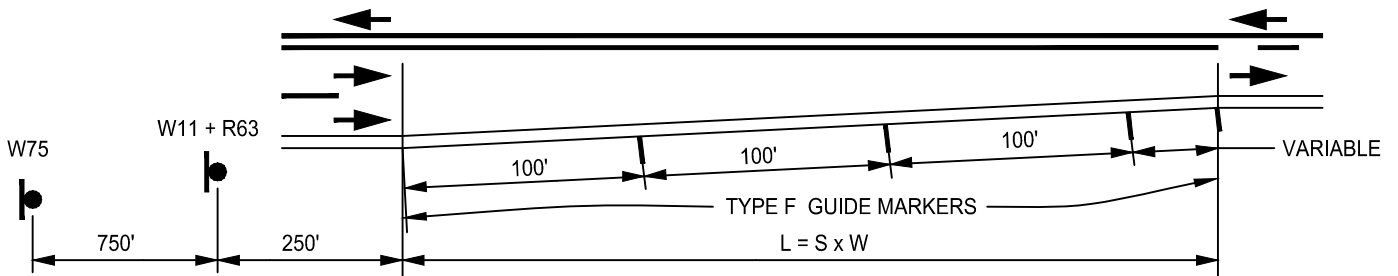
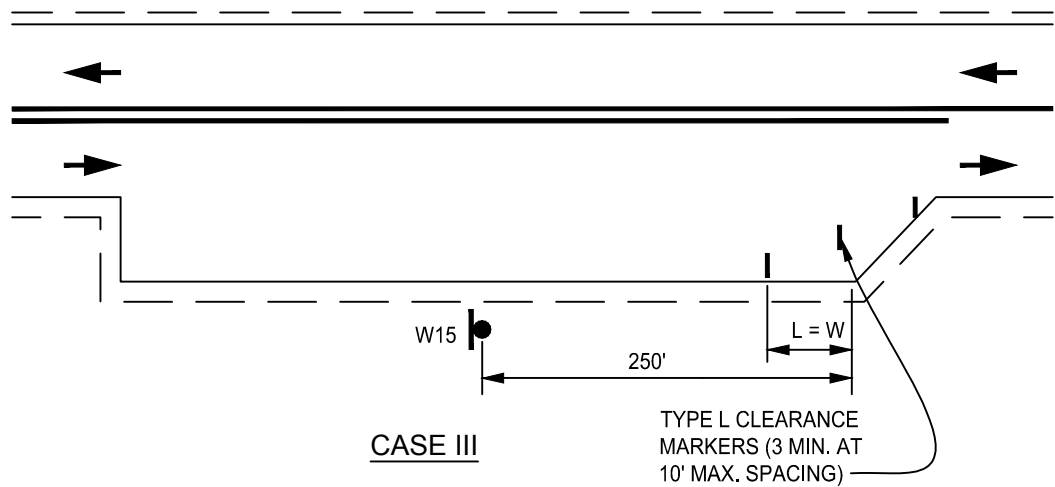


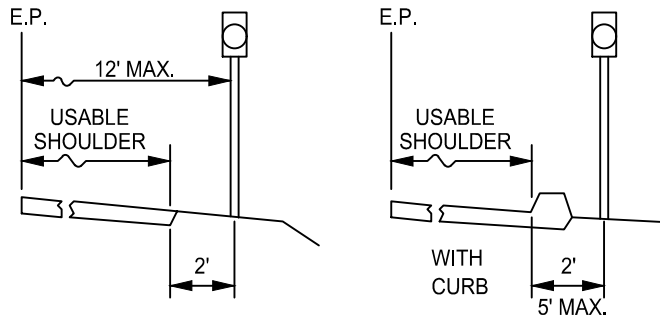
CASE I



CASE II



CASE III



MARKER POSITIONING

NOTES:

L = LENGTH OF TAPER IN FEET
 S = 85TH PERCENTILE OR DESIGN SPEED
 W = OFFSET IN FEET

STRIPING AND ARROWS SHALL BE PER THE STD. SPECS. AND CALTRANS TRAFFIC MANUAL. A SHORTER LANE DROP TAPER MAY BE USED ONLY IN LOCATIONS APPROVED BY THE CITY TRAFFIC ENGINEER.

DETAILS
 NOT TO SCALE

APPROVED: *Cliff F...* 5/21/18
 CITY ENGINEER DATE

CHANGE	DESCRIPTION	DATE	INITIAL



CITY OF THOUSAND OAKS
 PUBLIC WORKS DEPARTMENT

STANDARD
 LANE DROP

PLATE NO.
 7-12